

FLSH modular adaptor

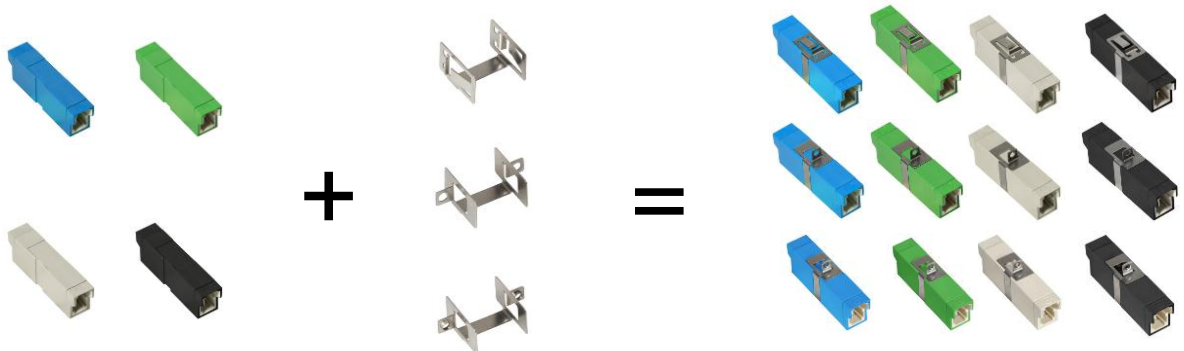


Characteristics

- IEC 61754-15 / TIA 604-16
- Fully compliant with existing adaptors
- Modular flange
- Individually combinable

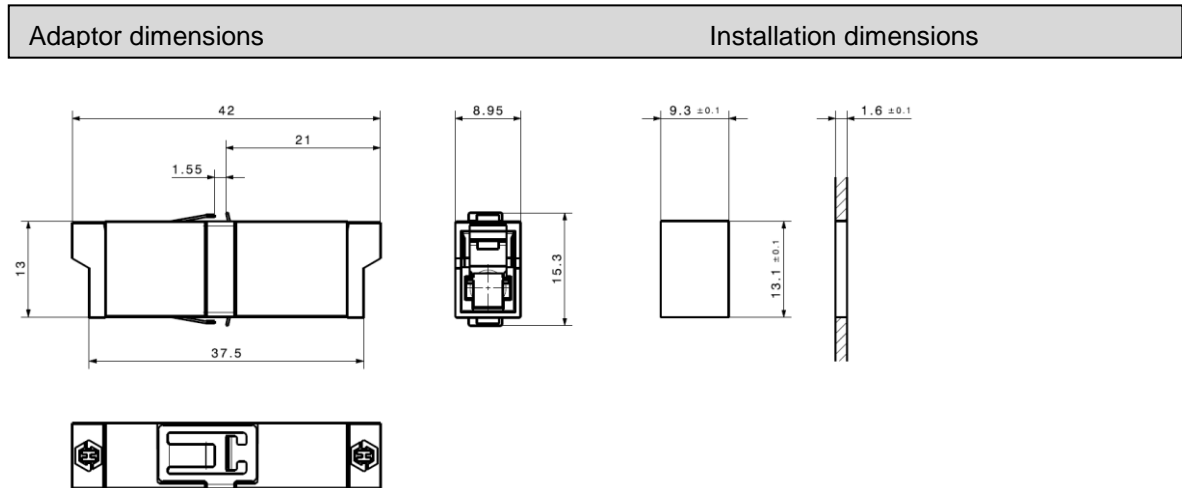
Technical data

Attribute	Value
Weight	0.0055kg
Colour	Blue, green, beige, black
Operating temperature	-40°C to +85°C
Flammability rating	UL 94 V-0
UV resistance	Resistant
RoHS requirements	Fully compliant

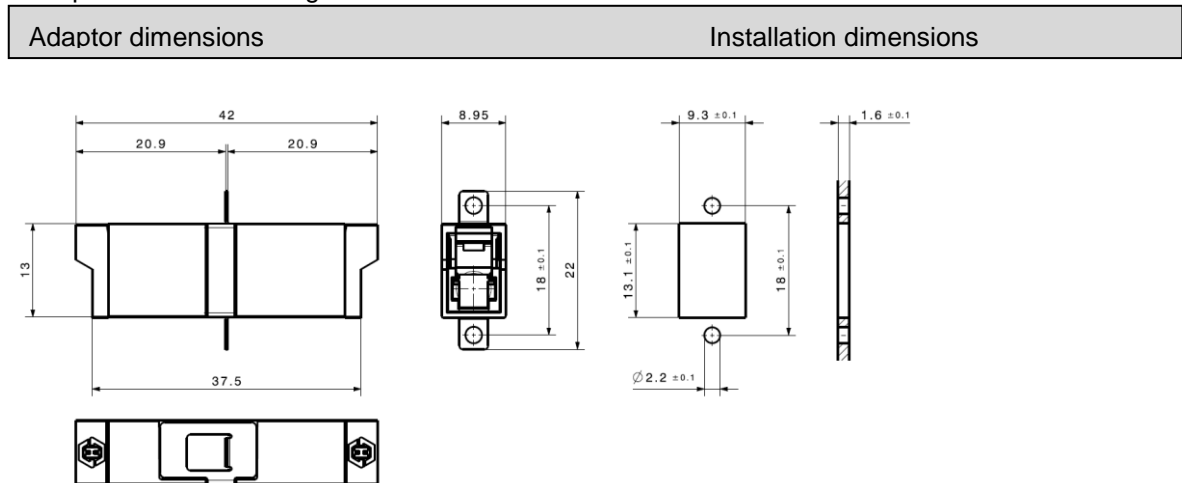


Technical drawings

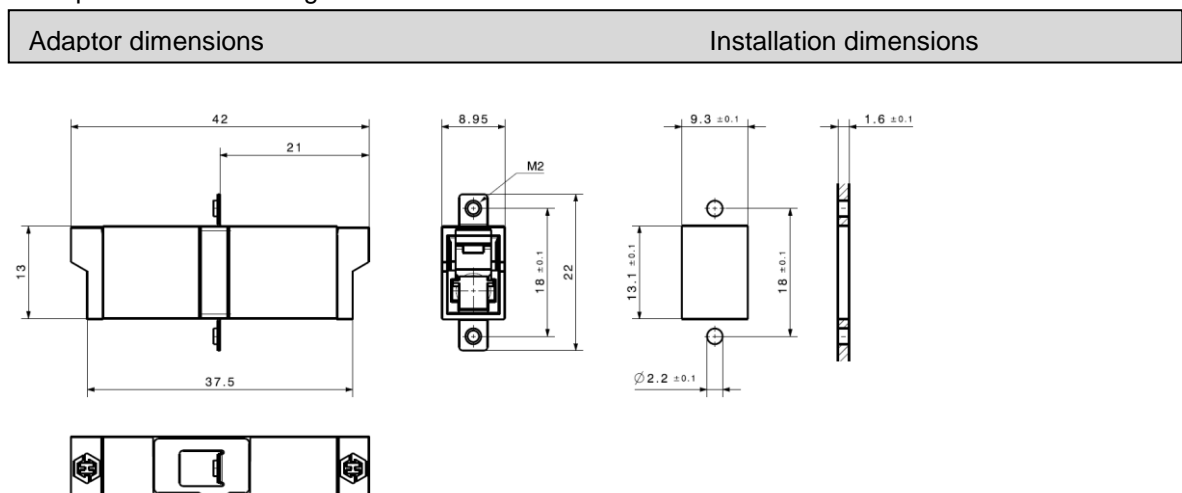
Adaptor with snap-in flange







Adaptor with 2-hole flange



Adaptor with screw flange



Ordering information

	Adaptor type	Colour	Item no.	Description	Packing unit
	SM	blue	84149802	FLSH-FLSH-H103_100-P	100
	SM 0.1dB HighPower		84149869	FLSH-FLSH-H110_100-P	
	SM APC	green	84149804	FLSH-FLSH-H603_100-P	
	SM APC 0.1dB HighPower		84149871	FLSH-FLSH-H610_100-P	
	MM	beige	84149806	FLSH-FLSH-H201_100-P	
	MM	black	84149808	FLSH-FLSH-H202_100-P	

	Simplex adaptor	Material	Item no.	Description	Packing unit
	Modular flange	stainless steel	84149813	ACC-FLSH-FLANGE-SNAP-IN_100-P	100
			84149815	ACC-FLSH-FLANGE-2-HOLE_100-P	
			84149814	ACC-FLSH-FLANGE-SCREW_100-P	
	Screw M2x8	zinc plated steel	23237114	Screw_M2x8_0205_01_01_04	1000

HUBER+SUHNER AG
Fiber Optics Division
9100 Herisau
Switzerland
Tel. +41 (71) 353 41 11
Fax +41 (71) 353 4647

HUBER+SUHNER is certified according to ISO 9001, ISO 14001, ISO/TS 16949 and IRIS.

Note

It is exclusively in written agreements that we provide our customers with warrants and representations as to the technical specifications and/or the fitness for any particular purpose. The facts and figures contained herein are carefully compiled to the best of our knowledge, but they are intended for general information purposes only.